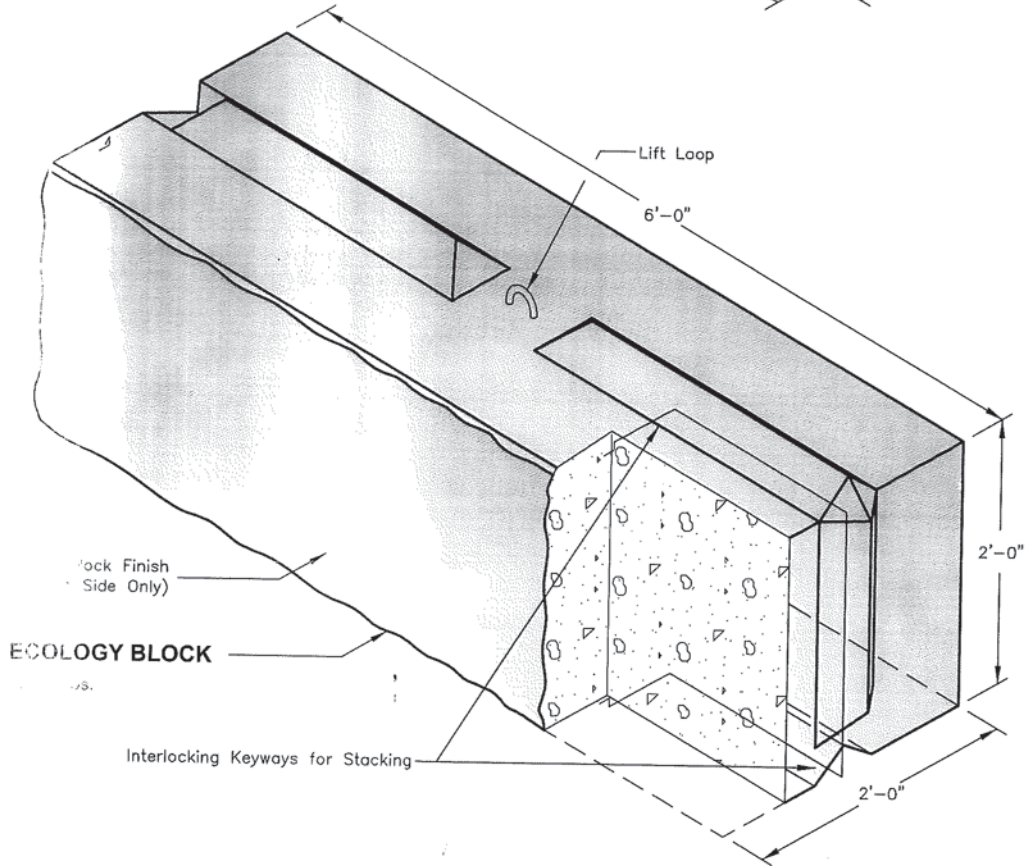
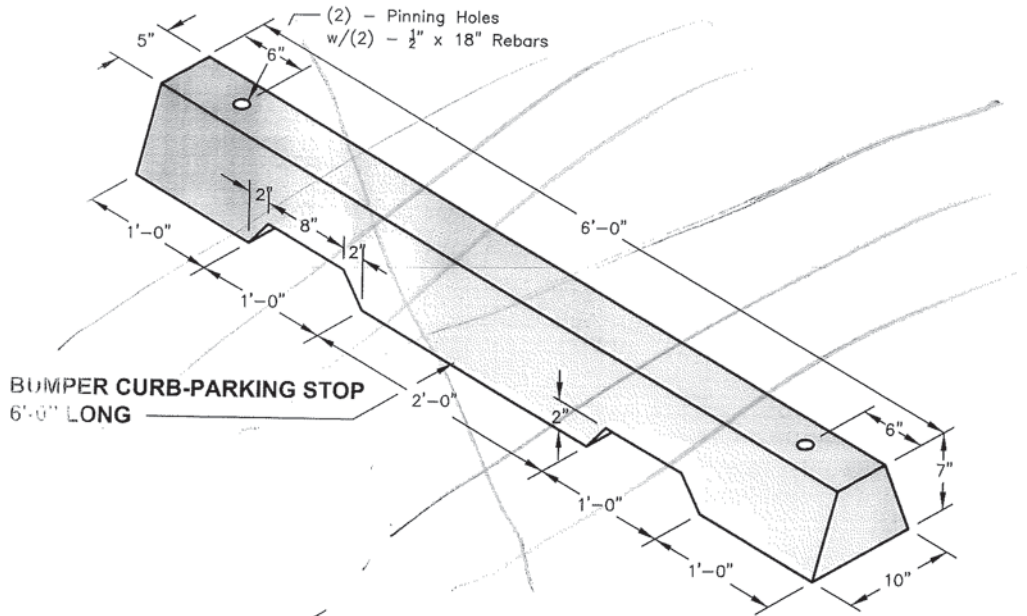


BUMPER CURBS / ECOLOGY BLOCK



Oldcastle Precast[®]
 Box 323, Wilsonville, Oregon 97070-0323
 Tel: (503) 682-2844 Fax: (503) 682-2657

B. CURB / E. BLOCK
 File Name: 020-CRBBLK
 Issue Date: 2018
oldcastleprecast.com/wilsonville

**BUMPER CURBS
 ECOLOGY BLOCK**