

Light Fixture Legend by Type: **Exhibit A.3**

A - Wall Pack, Econolight
C-WP-D-TR-6L-40K-UL-BZ

B - Wall Pack, Econolight
C-WP-B-TR-4L-40K-UL-BZ

C - Area Light, Econolight
NTW-A-WM-T3-23L-40K-BZ

D - 2-head Motion Light under canopy,
Econolight LED-FXBFD20/830/BK-SEN

F - Flood Light - Spaulding Lighting
FLL-42L-95-4K7-N-U-K-DB

G - Wall Pack - Lumark Crosstour
LMKXTOR3B

H - Wall Pack - Econolight
E-WRT18A-N50Z



C-WP-D-TR Series

Traditional-Style LED Wall Pack with Glass Lens

Replaces up to 400W PSMH

C-LITE
LED LIGHTING

PACK UP THIS ONE

Our dimmable cULus Listed Traditional-Style LED Wall Pack has a glass lens, delivers up to 23,400 lumens, is available in 4000K and 5000K, and comes with a 5-year limited warranty. It also features four ½" NPS tapped conduit knockouts for flexibility with mounting options.



PRODUCT SPECIFICATIONS

OVERVIEW

- Max. Delivered Lumens: Up to 23,400 Lumens
- CRI: ≥ 80 (**4L, 6L, 9L & 14L**), ≥ 70 (**18L & 23L**)
- CCT: 4000K or 5000K
- Input Power: 30W (**4L**), 45W (**6L**), 67W (**9L**), 106W (**14L**), 136W (**18L**), 166W (**23L**)
- Estimated L70 Lifetime @ 25°C: > 100,000 Hours
- Power Factor: > 0.9 at full load
- Total Harmonic Distortion: <20% at full load
- Limited Warranty: 5-Year*
- Replaces: 100W PSMH (**4L**), 150W PSMH (**6L**), 250W MH (**9L**), 320W PSMH (**14L**), 400W MH (**18L**), 400W PSMH (**23L**)

FEATURES	RECOMMENDED USE	INPUT VOLTAGE
<ul style="list-style-type: none">• Borosilicate prismatic glass lens• 0-10V Dimming to 10%• Extremely efficient with over 130LPW on every fixture• Easy installation• FCC Part 15, Subpart B, Class A limits for conducted and radiated emissions	<ul style="list-style-type: none">• Entryways• General Area Lighting• Perimeter Lighting• Storage Facilities	<ul style="list-style-type: none">• Universal (120V - 277V)

CERTIFICATIONS:

 **CA RESIDENTS WARNING:** Cancer and Reproductive Harm –
www.p65warnings.ca.gov



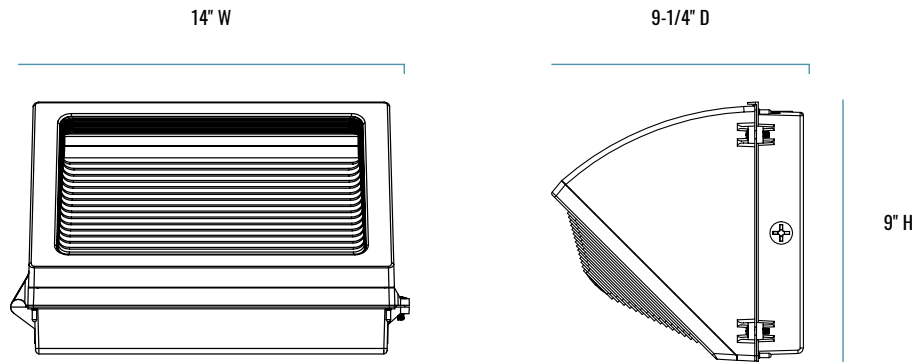
C-WP-D-TR Series

ORDERING INFORMATION

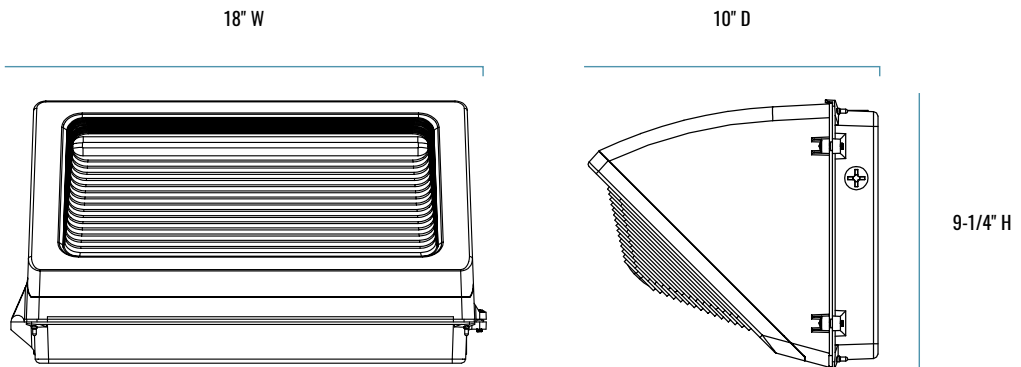
Example SKU: C-WP-D-TR-4L-40K-UL-BZ

C-WP	D	TR				UL	BZ	
PRODUCT	SERIES	STYLE	LUMEN PACKAGE			COLOR TEMP	VOLTAGE	HOUSING COLOR
C-WP	D	TR Traditional-Style	4L 4300 (4000K) 4200 (5000K) 30W 6L 6200 (4000K) 6400 (5000K) 45W	9L 9100 (4000K) 9200 (5000K) 67W 14L 14,000 (4000K) 14,300 (5000K) 106W	18L 18,600 (4000K) 18,700 (5000K) 136W 23L 22,600 (4000K) 23,400 (5000K) 166W	40K Neutral White (4000K) 50K Cool White (5000K)	UL Universal (120-277V)	BZ Dark Bronze

C-WP-D-TR-4L, 6L, 9L & 14L



C-WP-D-TR-18L & 23L



SERIES OVERVIEW

DIMENSIONS	PRODUCT WEIGHT	MOUNTING HEIGHT	SPACING
9-1/4" D x 14" W x 9" H (4L, 6L, 9L & 14L), 10" D x 18" W x 9-1/4" H (18L & 23L)	8.4 lbs. (4L), 9.08 lbs. (6L), 10.05 lbs. (9L), 10.34 lbs. (14L), 15.92 lbs. (18L), 17.4 lbs. (23L)	10 to 15 feet (4L) & 20 to 25 feet (6L, 9L, 14L, 18L, 23L)	2 to 3 times the mounting height

C-WP-D-TR Series

FIXTURE SPECIFICATIONS

HOUSING	Heavy-duty dark bronze die-cast aluminum
LENS ASSEMBLY	Borosilicate prismatic glass lens
MOUNTING	Four 1/2" NPS tapped conduit knockouts for flexibility with mounting options

LUMINAIRE AND ELECTRICAL PERFORMANCE

OPERATING TEMPERATURE RANGE	ESTIMATED L ₇₀ LIFETIME @ 25°C (77°F)	POWER FACTOR	TOTAL HARMONIC DISTORTION
-40°F to 104°F (-40°C to 40°C)	> 100,000 Hours	> 0.9 at full load	<20% at full load

SKU	REPLACES	LUMEN OUTPUT	BUG RATINGS*	SYSTEM WATTS	CURRENT DRAW (AMPS)			
					120V	208V	240V	277V
C-WP-D-TR-4L-40K-UL-BZ	100W PSMH	4300 L	B1-U3-G3	30W	0.251	0.15	0.132	0.117
C-WP-D-TR-4L-50K-UL-BZ		4200 L						
C-WP-D-TR-6L-40K-UL-BZ	150W PSMH	6200 L	B1-U3-G4	45W	0.384	0.227	0.20	0.176
C-WP-D-TR-6L-50K-UL-BZ		6400 L						
C-WP-D-TR-9L-40K-UL-B	250W MH	9100 L	B2-U4-G3	67W	0.57	0.35	0.31	0.30
C-WP-D-TR-9L-50K-UL-BZ		9200 L	B2-U4-G4					
C-WP-D-TR-14L-40K-UL-BZ	320W PSMH	14,000 L	B3-U4-G4	106W	0.89	0.53	0.46	0.42
C-WP-D-TR-14L-50K-UL-BZ		14,300 L	B2-U4-G5					
C-WP-D-TR-18L-40K-UL-BZ	400W MH	18,600 L	B3-U4-G4	136W	1.20	0.67	0.59	0.52
C-WP-D-TR-18L-50K-UL-BZ		18,700 L						
C-WP-D-TR-23L-40K-UL-BZ	400W PSMH	22,600 L	B3-U5-G5	166W	1.43	0.83	0.73	0.63
C-WP-D-TR-23L-50K-UL-BZ		23,400 L						

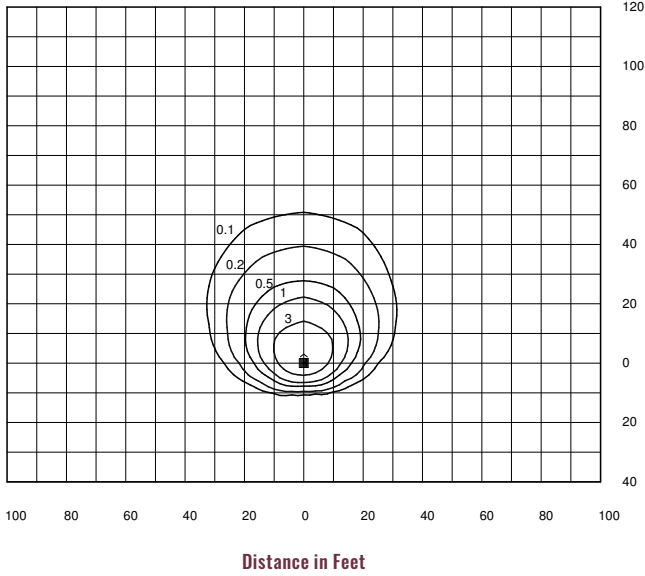
* For more information on the IES BUG (Backlight-Uplight-Glare) Rating visit: <https://www.ies.org/wp-content/uploads/2017/03/TM-15-11BUGRatingsAddendum.pdf>. Valid with no tilt.

C-WP-D-TR Series

ISO PLOT CHARTS

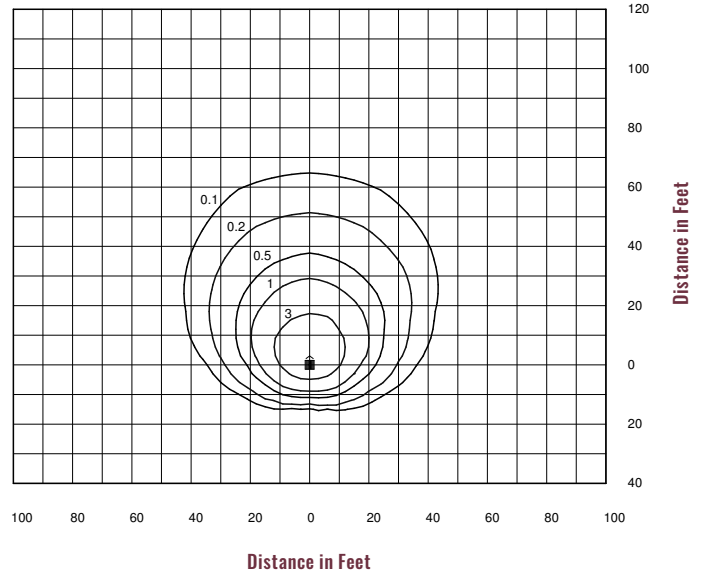
C-WP-D-TR-4L-50K

Mounting Height: 10'



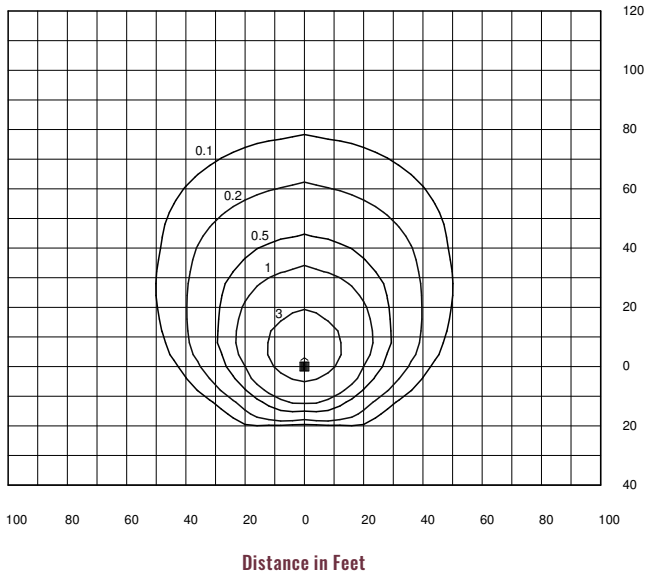
C-WP-D-TR-6L-50K

Mounting Height: 15'



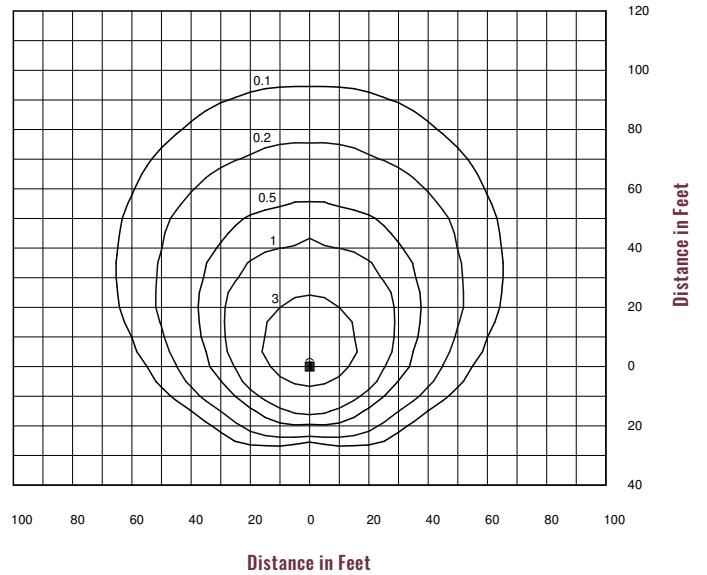
C-WP-D-TR-9L-50K

Mounting Height: 20'



C-WP-D-TR-14L-50K

Mounting Height: 25'



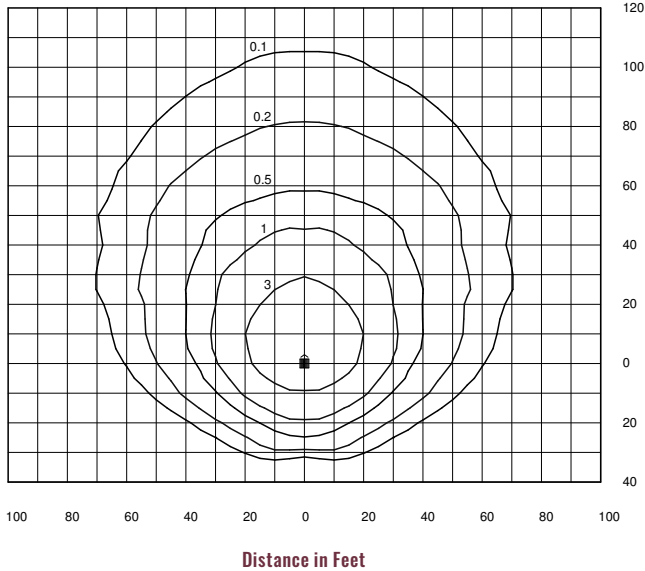
Note: All published photometric testing performed to IES LM-79 standards. Fixture photometry was completed on a single representative fixture. Foot candle levels are noted inside graph.

C-WP-D-TR Series

ISO PLOT CHARTS

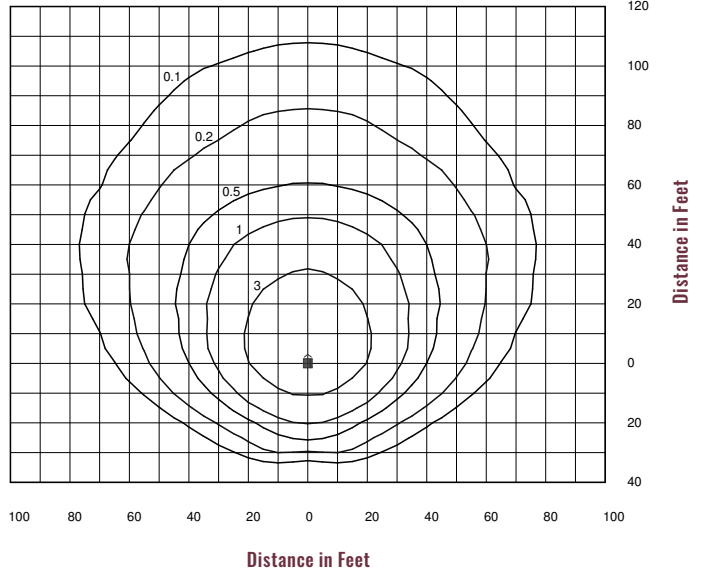
C-WP-D-TR-18L-50K

Mounting Height: 25'



C-WP-D-TR-23L-50K

Mounting Height: 25'





Note: All published photometric testing performed to IES LM-79 standards. Fixture photometry was completed on a single representative fixture. Foot candle levels are noted inside graph.

WARRANTY AND CERTIFICATIONS

WARRANTY	cULus LISTED	DLC
5-Year Warranty*	Wet Listed	5.1 Premium Refer to https://www.designlights.org/search/ for most current information.

ACCESSORIES

	UNIVERSAL BUTTON PHOTOCELL (120V-277V)
	SKU: CCR-PHC-0306-GC USE: Photocell is field installed and drilling of the back box is required. 500W Max.
	UNIVERSAL BUTTON PHOTOCELL (120V-277V)
	SKU: JL-423CZ USE: Photocell is field installed and drilling of the back box is required. 1000W Max.

© 2021 Cree Lighting, A company of IDEAL INDUSTRIES. All rights reserved. For informational purposes only. Content is subject to change. Patent www.creelighting.com/patents. C-Lite and the C-Lite logo are registered trademarks of Cree Lighting. The UL logo is a registered trademark of UL LLC. The DLC QPL logo and the DLC QPL Premium logo are registered trademarks of Northeast Efficiency Partnerships, Inc.

US: creelighting.com, e-conolight.com

Distribution/Sales: 855-617-2733 Customer Service: 888-243-9445

Rev. Date: V2 12/01/2021

For informational purposes only. Content is subject to change. *See creelighting.com/resources/warranties

C-LITE
LED LIGHTING

Noctura Series

LED Wall Mount Luminaires

Rev. Date: V9 04/25/2022

Product Description

The Noctura® LED Wall Mount luminaire minimizes cost of ownership with easy installation, high performance and quality backed by a Cree Lighting 5-year limited warranty. The Noctura Series has a coordinated style across area, flood and wall mount luminaires to provide a consistent daytime appearance across a building site or campus. The rugged yet lightweight aluminum housing and mounting box are designed for easy installation of a variety of junction box styles (4" square, 3" and 4" octagonal, single gang (vertical or horizontal mounts). Luminaires (1L & 3L) allow for through-wired or conduit entry from the top, sides and rear. Luminaires (7L and higher) allow for through-wired or conduit entry from the top, bottom, sides and rear.

Applications: Ideal for both retrofit and new installation: building facade, security and general lighting applications.

Performance Summary

Initial Delivered Lumens: Up to 22,600 lumens

Efficacy: Up to 154 LPW

CRI: Minimum 70 CRI

CCT: 4000K, 5000K

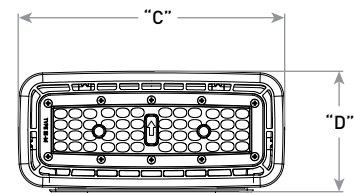
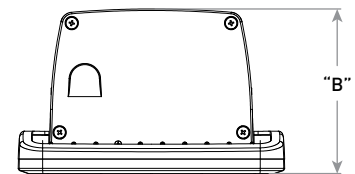
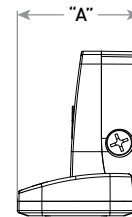
Limited Warranty*: 5 years on luminaire/ up to 5 years for Synapse® accessory/ 1 year on photocell accessory

* See <http://creelighting.com/warranty> for warranty terms

Accessories

Field-Installed
Field-Installed Button Photocell JL-423CZ - UL (120-277V) Voltage only Synapse® SimplySnap 10V Interface DIM10-220F - 120V-277V - Requires other Synapse components to complete system - Refer to DIM10-220F spec sheet for details

7L



Lumen Package	Weight	Dim "A"	Dim "B"	Dim "C"	Dim "D"
1L*	2.2 lbs. (1.0kg)	3.7" (93mm)	5.4" (136mm)	8.7" (220mm)	3.6" (91mm)
3L*	3.0 lbs. (1.4kg)	4.0" (102mm)	5.4" (136mm)	8.7" (220mm)	3.9" (100mm)
7L*	4.6 lbs. (2.1kg)	6.5" (165mm)	5.4" (136mm)	9.8" (250mm)	6.4" (163mm)

* See page 3 for large lumen package line drawings

Ordering Information**

Example: NTW-A-WM-T3-1L-40K-UL-BZ

NTW	A	WM	T3	Lumen Package*		CCT	Voltage	BZ
Product	Version	Mounting	Optic	Lumen Package*		CCT	Voltage	Color Options
NTW	A	WM Wall Mount	T3 Type III Medium	Small 1L 1,600 lumens - Not available in 347-480V 3L 3,500 lumens 7L 7,000 lumens	Large 11L 11,000 lumens 17L 17,000 lumens 23L 23,000 lumens	40K 4000K 50K 5000K	UL Universal 120-277V UH Universal 347-480V	BZ Bronze

* Lumen Package codes identify approximate light output only. Actual lumen output levels may vary depending on CCT and optic selection. Refer to Initial Delivered Lumen tables for specific lumen values

** Consult factory for availability



US: creelighting.com (800) 236-6800

Canada: creelighting-canada.com (800) 473-1234

CREE ⇄ **LIGHTING**®

Product Specifications

CONSTRUCTION & MATERIALS

- Luminaire housing is rugged die cast aluminum with integral, LED driver compartment is specifically designed for LED applications with advanced LED thermal management and driver
- Luminaire mounting box designed for easy installation of a variety of junction box styles: 4" square, 3" and 4" octagonal, single gang, vertical or horizontal mounts
- Luminaire can also be direct mounted to a wall and surface wired
- Direct mount to junction box with knockouts and grommet on back
- 11L, 17L and 23L housings have knockouts for additional mounting screws to provide added mounting stability (recommended)
- Luminaires (1L and 3L) allow for through-wired or conduit entry from the top, sides and rear
- Luminaires (7L and higher) allow for through-wired or conduit entry from the top, bottom, sides and rear
- Housing includes a knockout for field installed button type photocontrol (by others)
- Housing and mounting accessories finished in polyester powder coat paint, 2.5 mil nominal thickness
- Weight:** 1L-2.2 lbs. (1.0kg); 3L-3.0 lbs. (1.4kg); 7L-4.6 lbs. (2.1kg); 11L-8.2 lbs. (3.9kg); 17L-9.9 lbs. (5.5kg); 23L-12.8 lbs. (7.8kg)

ELECTRICAL SYSTEM

- Input Voltage:** 120-277V or 347-480V, 50/60Hz
- Power Factor:** > 0.9 at full load
- Total Harmonic Distortion:** < 20% at full load
- Integral 10kV/5kA surge suppression protection standard
- When code dictates fusing, a slow blow fuse or type C/D breaker should be used to address inrush current
- Designed with 0-10V dimming capabilities. Controls by others
- 10V Source Current:** 0.20 mA
- Operating Temperature Range:** -30°C - +40°C (-22°F - +104°F)
- Snap connectors make wiring quick and simple

REGULATORY & VOLUNTARY QUALIFICATIONS

- cULus Listed (UL1598)
- Suitable for wet locations
- Designed for downlight applications only
- Meets NEMA C82.77 standards
- Drivers and LEDs are UL Recognized in accordance with UL8750
- Enclosure meets IP65 requirements per IEC 60529
- Certified to ANSI C136.31-2018, 3G vibration standards
- ANSI C136.2 10kV/5kA surge protection, tested in accordance with IEEE/ANSI C62.41.2
- Meets FCC Part 15, Subpart B, Class A limits for conducted and radiated emissions
- RoHS compliant. Consult factory for additional details
- CA RESIDENTS WARNING:** Cancer and Reproductive Harm – www.p65warnings.ca.gov

Electrical Data*								
Lumen Package	System Watts 120-277V	System Watts 347-480V	Total Current (A)					
			120V	208V	240V	277V	347V	480V
1L	12	N/A	0.12	0.07	0.06	0.05	N/A	N/A
3L	24	24	0.24	0.14	0.12	0.10	0.08	0.06
7L	46	46	0.46	0.27	0.23	0.20	0.16	0.12
11L	74	74	0.74	0.43	0.37	0.32	0.26	0.19
17L	111	111	1.11	0.64	0.56	0.48	0.38	0.28
23L	148	148	1.48	0.85	0.74	0.64	0.51	0.37

* Electrical data at 25°C (77°F). Actual wattage may differ by +/- 10% when operating between 120-277V or 347-480V +/-10%

Noctura Series Ambient Adjusted Lumen Maintenance ¹					
Ambient	Initial LMF	25K hr Reported ² LMF	50K hr Reported ² LMF	75K hr Estimated ³ LMF	100K hr Estimated ³ LMF
5°C (41°F)	1.04	0.98	0.92	0.87	0.82
10°C (50°F)	1.03	0.97	0.91	0.86	0.81
15°C (59°F)	1.02	0.96	0.91	0.85	0.80
20°C (68°F)	1.01	0.95	0.90	0.84	0.79
25°C (77°F)	1.00	0.94	0.89	0.83	0.79
30°C (86°F)	0.99	0.93	0.88	0.83	0.78
35°C (95°F)	0.98	0.93	0.87	0.82	0.77
40°C (104°F)	0.97	0.92	0.86	0.81	0.76

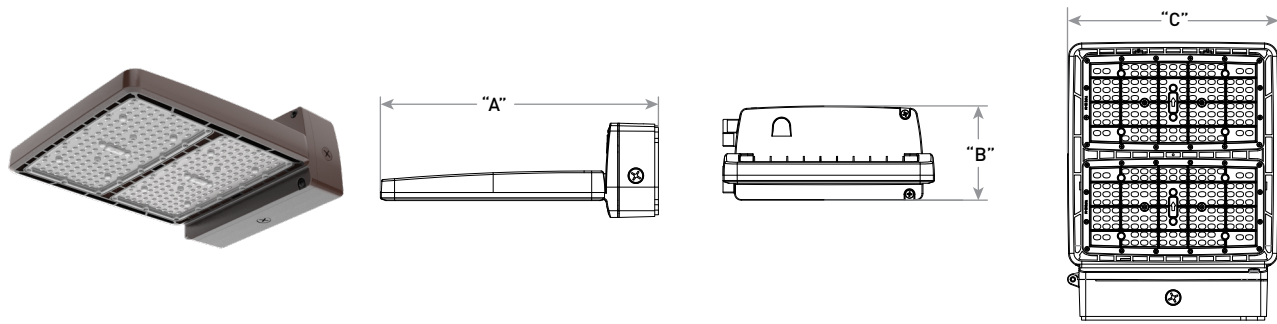
¹ Lumen maintenance values at 25°C (77°F) are calculated per IES TM-21 based on IES LM-80 report data for the LED package and in-situ luminaire testing. Luminaire ambient temperature factors (LATF) have been applied to all lumen maintenance factors. Please refer to the [Temperature Zone Reference Document](#) for outdoor average nighttime ambient conditions.

² In accordance with IES TM-21, Reported values represent interpolated values based on time durations that are up to 6x the tested duration in the IES LM-80 report for the LED.

³ Estimated values are calculated and represent time durations that exceed the 6x test duration of the LED.

Noctura® LED Wall Mount Luminaire

17L

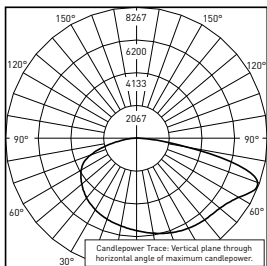


Lumen Package	Weight	Dim "A"	Dim "B"	Dim "C"
11L	8.2 lbs. (3.9kg)	12.19" (310mm)	5.51" (140mm)	12.36" (314mm)
17L	9.9 lbs. (5.5kg)	16.26" (413mm)	5.51" (140mm)	12.36" (314mm)
23L	12.8 lbs. (7.8kg)	20.30" (516mm)	5.51" (140mm)	12.36" (314mm)

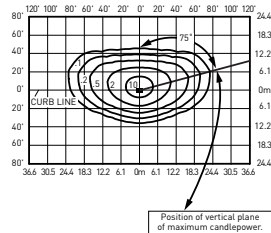
Photometry

All published luminaire photometric testing performed to IES LM-79 standards. To obtain an IES file specific to your project consult: <https://creelighting.com/products/outdoor/wall-mount/noctura-wall>

T3



Ningbo TengLi Testing Co. Test Report #:
STD190155NB-BK
NTW-A-WM-T3-23L-30K-UL-**
Initial Delivered Lumens: 21,664



NTW-A-WM-T3-23L-40K-UL-BZ
Mounting Height: 15' (4.6m) A.F.G.
Initial Delivered Lumens: 22,600
Initial FC at grade

Type III Medium Distribution

Lumen Package	4000K/5000K		
	Initial Delivered Lumens*	BUG Ratings** Per TM 15 11	Efficacy (LPW)
1L	1,580	B1 U0 G1	132
3L	3,370	B1 U0 G1	140
7L	6,750	B2 U0 G1	147
11L	11,175	B3 U0 G2	151
17L	17,100	B3 U0 G3	154
23L	22,600	B3 U0 G3	153

* Initial delivered lumens at 25°C (77°F). Actual production yield may vary between -10 and +10% of initial delivered lumens

** For more information on the IES BUG (Backlight-Uplight-Glare) Rating visit: <https://www.ies.org/wp-content/uploads/2017/03/TM-15-11BUGRatingsAddendum.pdf>. Valid with no tilt

SECURITY WALL LIGHTS



Product Description

naturalLED® Wall Lights double head bullet with motion sensor. Our security floodlights come in 20-watt to replace your existing incandescent up to 200-watt, saving up to 90% of energy. Super energy efficient and lasts up to 50,000+ hours average life. naturalLED® security lights are ideal solution for security lights, both residential, commercial and many other outdoor applications.



Features & Benefits

- ▶ Energy Star Qualified
- ▶ UL Wet
- ▶ Up to 80% energy savings
- ▶ Instant on
- ▶ Light weight
- ▶ Contains no mercury or lead
- ▶ 50,000 hrs rated average life

Specifications

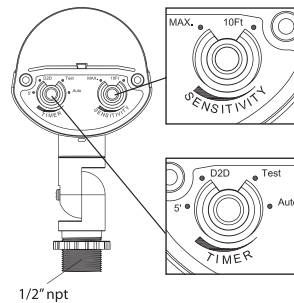
- ▶ Input line voltage: 120V
- ▶ Power Factor: >0.9
- ▶ THD: <20%
- ▶ Beam Angle: Flood
- ▶ Operating temperature: -22°F - 122°F
- ▶ Finish: Black / White

Applications




- ▶ Security Lighting
- ▶ Accent Lighting
- ▶ Residential Lighting
- ▶ Outdoor Lighting
- ▶ Wall Lighting

Optional Accessories

- ▶ Motion / Daylight Sensor
For Security Flood Light
P10118 SEN-ES-180NX3-2VR/BK

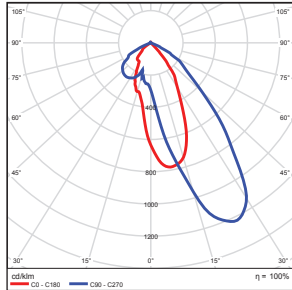


Ordering Information

Code	Description	CCT	Watt	Lumen	Equiv Wattage	Style	Beam Angle	Color	Rated Hrs		
	Security Flood Light w/Sensor										
7030	LED-FXBFD20/830/BK-SEN	3000K	20	1,400	200	Security	70	Black	50,000	•	•
7031	LED-FXBFD20/850/BK-SEN	5000K	20	1,400	200	Security	70	Black	50,000	•	•
7066	LED-FXBFD20/830/WH-SEN	3000K	20	1,400	200	Security	70	White	50,000	•	•
7067	LED-FXBFD20/850/WH-SEN	5000K	20	1,400	200	Security	70	White	50,000	•	•

Photometric Data

BFD- Double Head Round



Zonal Lumen Summary

Zone	Lumens	% Luminaire
0-30	540.68	39.80
0-40	834.24	61.40
0-60	1247.96	91.80
60-80	104.99	7.70
70-80	23.00	1.70
90-120	0.22	0.00
90-180	5.42	0.40
0-180	1359.13	100.00

Total Luminaire Efficiency = 100.00%

Illuminance at a Distance

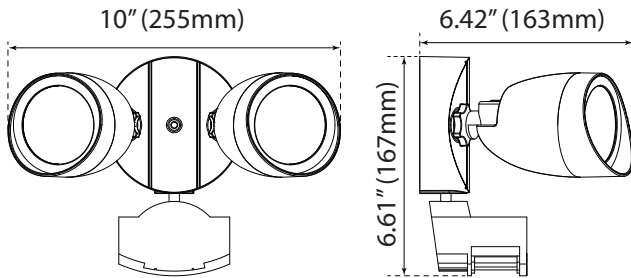
	Center Beam fc		Beam Width	
	Center Beam fc	Beam Width	Beam Width	Beam Width
17.0ft	2.17 fc	6.8 ft	10.3 ft	
34.0ft	0.54 fc	13.6 ft	20.5 ft	
51.0ft	0.24 fc	20.5 ft	30.8 ft	
68.0ft	0.14 fc	27.3 ft	41.1 ft	
85.0ft	0.09 fc	34.1 ft	51.3 ft	
102.0ft	0.06 fc	40.9 ft	61.6 ft	

■ Vert. Spread: 22.7°
■ Horiz. Spread: 33.6°

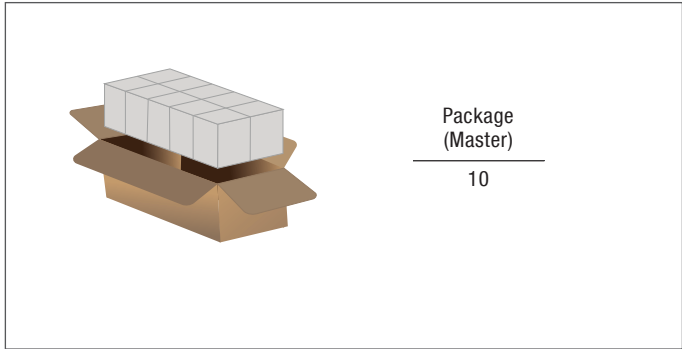
Product Dimensions

FXBFD

Weight: 2.43-lbs



Package



E-WRT Series

LED Traditional Style Non-Cutoff Wall Pack
Replaces up to 400W PSMH



E-WRT04, E-WRT06,
E-WRT09, E-WRT14

E-WRT18, E-WRT23

Find This Guy In The Dictionary, Next To “Long-Lasting”

If you're looking for sleek, rounded architectural wall packs designed to cheat time, you've come to the right series. UL listed, the E-WRT Series LED Traditional Style Non-Cutoff Wall Pack features a glass lens that won't yellow or become brittle as the (many) years pass. Available in 3000K, 4000K, and 5000K, this series also features four 1/2" NPS conduit knock-outs for the ultimate in mounting flexibility, plus it's guaranteed to hold its own in harsh environments, including wet locations. Oh, and it's equipped with an integrated 4KV surge suppressor to help protect against voltage spikes.

Stylish

- Sleek rounded architectural design
- Glass lens for better light distribution

Recommended Use

- Security
- Building Entrances
- Perimeter Lighting

Durable

- Heat & shock-resistant borosilicate glass lens
- Heavy duty, die-cast aluminum housing

Input Voltage

- Universal (120V through 277V Operation)

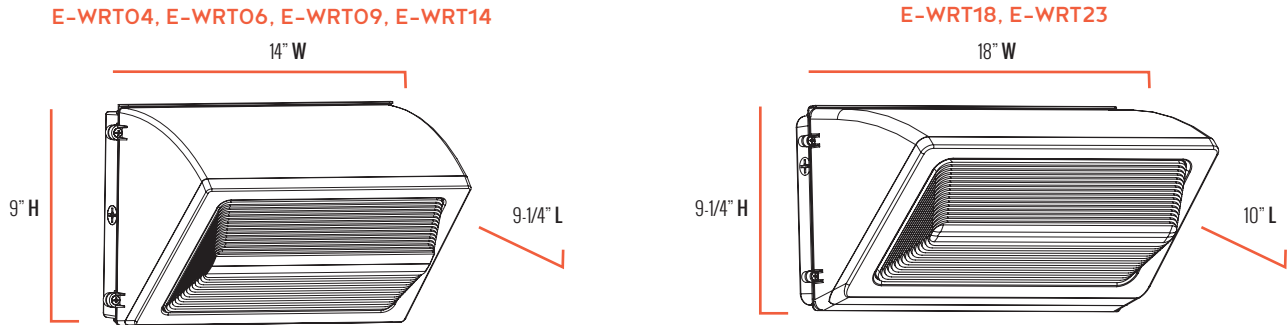
Certifications



"WARNING - Cancer and Reproductive Harm -
www.p65warnings.ca.gov"



E-WRT Series



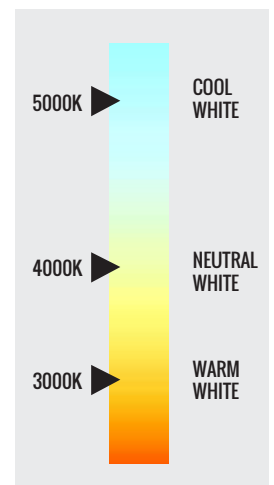
Series Overview

DIMENSIONS	PRODUCT WEIGHT	MOUNTING HEIGHT
E-WRT04 9-1/4\"L x 14\"W x 9\"H	8.1 lbs.	8' - 20'
E-WRT06 9-1/4\"L x 14\"W x 9\"H	8.4 lbs.	8' - 20'
E-WRT09 9-1/4\"L x 14\"W x 9\"H	10.2 lbs.	12' - 25'
E-WRT14 9-1/4\"L x 14\"W x 9\"H	10.3 lbs.	12' - 25'
E-WRT18 10\"L x 18\"W x 9-1/4\"H	15.6 lbs.	15' - 30'
E-WRT23 10\"L x 18\"W x 9-1/4\"H	16.5 lbs.	15' - 30'

Fixture Specifications

HOUSING	Heavy duty, die-cast aluminum housing with hinged door frame Dark bronze polyester powder-coat finish
LENS ASSEMBLY	Borosilicate glass prismatic
MOUNTING	(4) 1/2-inch NPS tapped conduit knock outs for flexibility with mounting options

CORRELATED COLOR TEMPERATURE (CCT)



Electrical Performance

OPERATING RANGE	LIFESPAN L_{70} AT 25°C (77°F)	POWER FACTOR	TOTAL HARMONIC DISTORTION	DIMMABLE
-40°C to 40°C (-40°F to 104°F)	Estimated >75,000 Hours (E-WRT04 series) Estimated >100,000 Hours (E-WRT06, E-WRT09, E-WRT14, E-WRT18, E-WRT23 series)	> 0.9	< 20%	No

Due to continuous product improvement, information in this document is subject to change.
The UL logo is a registered trademark of UL LLC.

Revision Date: 06/24/20

1501 96th Street, Sturtevant, WI 53177 | Phone (888) 243-9445 | Fax (262) 504-5409 | www.e-conolight.com

e-conolight[®]

E-WRT Series

INPUT VOLTAGE (AMPS)	120V	208V	240V	277V
E-WRT04A	0.27A	0.16A	0.14A	0.12A
E-WRT06A	0.40A	0.23A	0.20A	0.18A
E-WRT09A	0.57A	0.35A	0.31A	0.30A
E-WRT14A	0.89A	0.53A	0.46A	0.42A
E-WRT18A	1.20A	0.67A	0.59A	0.52A
E-WRT023A	1.43A	0.83A	0.73A	0.63A

Warranty & Certifications

WARRANTY	UL LISTED	DLC
5-Year Limited	Wet Locations	Premium

Output Specifications

SKU	LIGHT OUTPUT	COLOR TEMP	POWER CONSUMPTION	COLOR ACCURACY	REPLACES
E-WRT04A-N30Z	4000 Lumens	Warm White (3000K)	30W	≥70CRI	100W PSMH
E-WRT04A-N40Z	4000 Lumens	Neutral White (4000K)	30W	≥70CRI	100W PSMH
E-WRT04A-N50Z	4000 Lumens	Cool White (5000K)	30W	≥70CRI	100W PSMH
E-WRT06A-N30Z	6100 Lumens	Warm White (3000K)	47W	≥70CRI	150W PSMH
E-WRT06A-N40Z	6200 Lumens	Neutral White (4000K)	47W	≥70CRI	150W PSMH
E-WRT06A-N50Z	6500 Lumens	Cool White (5000K)	47W	≥70CRI	150W PSMH
E-WRT09A-N30Z	9000 Lumens	Warm White (3000K)	68W	≥70CRI	250W MH
E-WRT09A-N40Z	9100 Lumens	Neutral White (4000K)	68W	≥70CRI	250W MH
E-WRT09A-N50Z	9200 Lumens	Cool White (5000K)	68W	≥70CRI	250W MH
E-WRT14A-N40Z	14,000 Lumens	Neutral White (4000K)	106W	≥70CRI	320W PSMH
E-WRT14A-N50Z	14,300 Lumens	Cool White (5000K)	106W	≥70CRI	320W PSMH
E-WRT18A-N40Z	18,200 Lumens	Neutral White (4000K)	137W	≥70CRI	400W MH
E-WRT18A-N50Z	18,700 Lumens	Cool White (5000K)	137W	≥70CRI	400W MH
E-WRT23A-N40Z	22,700 Lumens	Neutral White (4000K)	168W	≥70CRI	400W PSMH
E-WRT23A-N50Z	23,400 Lumens	Cool White (5000K)	168W	≥70CRI	400W PSMH

Accessories



Photocell - Button, 120V/208V/240V/277V

SKU: E-ACP1 (120V)

E-ACP2 (208/240/277V)

Use: Photocell is field installed. Drilling of the back box in the field is required.

Due to continuous product improvement, information in this document is subject to change.
The UL logo is a registered trademark of UL LLC.

Revision Date: 06/24/20

1501 96th Street, Sturtevant, WI 53177 | Phone (888) 243-9445 | Fax (262) 504-5409 | www.e-conolight.com

