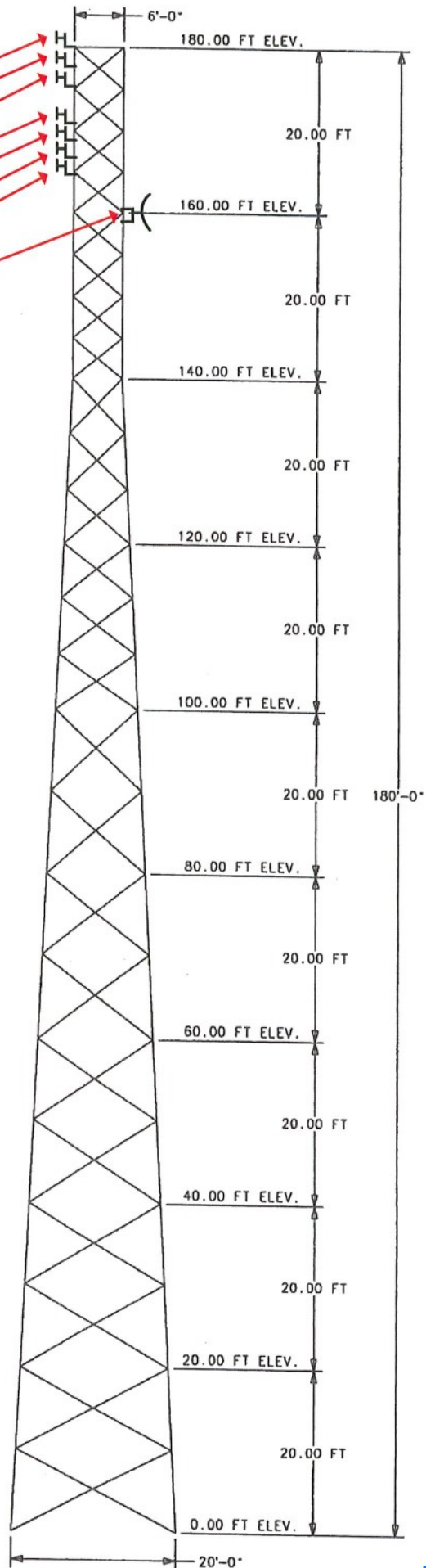


# Tower Supplemental Attachment 1

**Antennas**

Approximate Height	Type	Direction
180	Yagi	Mt Scott 1
180	Yagi	Mt Scott 2
180	Yagi	Willalatin Tank
170	Yagi	Prune Hill 1
170	Yagi	Prune Hill 2
170	Yagi	Council Crest 1
170	Yagi	Council Crest 2
160	Microwave Dish	



Water Filtration Plant  
Proposed Tower and Approximate  
Antenna Locations